



***AC
CROSSFLOW
FANS.***



GENERAL DATA FOR CROSSFLOW FANS:

- Frame / Housing** : Steel with black painting
- Impeller** : Plastic & Aluminum
- Bearing System** : Ball bearing or sleeve Bearing
- Motor** : Shaded pole or Capacitor induction
- Protection** : Impedance protection or thermal protection
- Insulation Resistance** : Above 100MΩ, DC500V
- Dielectric withstand voltage** : AC 1500V (50/60Hz) one minute
- Operating Temperature** : Ball bearing: - 40°C ~ 70°C
Sleeve Bearing: - 0°C ~ 40°C
- Safety Approval** : CE

ALL MODELS DISPLAYED ON THIS CATALOGUE ARE ROHS COMPLIANT.

Description of Model No. : **E C A 60 17 S -12 H B L**
 1 2 3 4 5 6 7 8 9 10

- 1. **E**
Electronic Associates
- 2. **C**
Cross flow Fans
- 3. **A**
A AC Voltage
D DC Voltage
- 4. **DIAMETER OF WHEEL**
90 : 90ø mm
60 : 60ø mm
- 5. **LENGTH OF WHEEL**
29 : 290 mm
39 : 390 mm
46 : 460 mm
- 6. **TYPE OF MOTOR**
S : Shaded Pole
C : Capacitance Induction

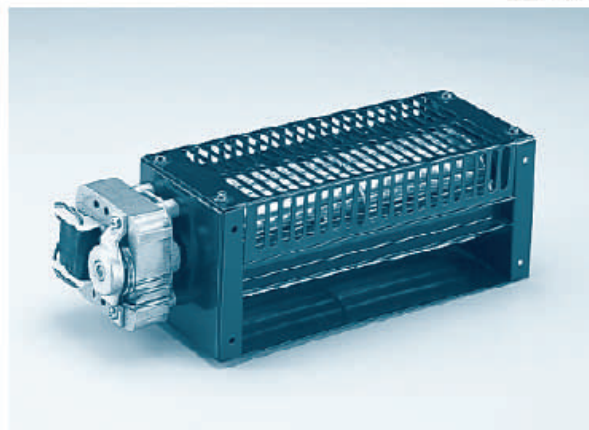
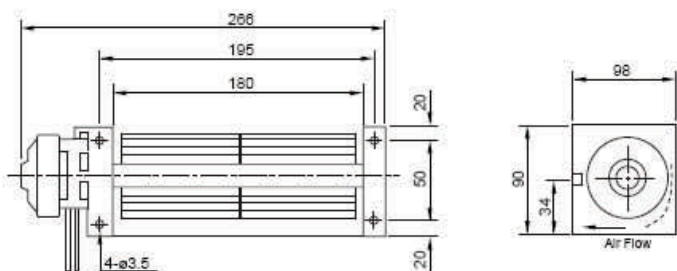
- 7. **INPUT VOLTAGE**
12 : 120V
23 : 230V
- 8. **SPEED**
H : High
M : Medium
L : Low
- 9. **BEARING TYPE**
B : Ball
S : Sleeve
- 10. **POSITION OF MOTOR**
L : Left
R : Right



MODEL: ECA6017 SERIES



Size : 266 x 100 x 90
Unit : mm

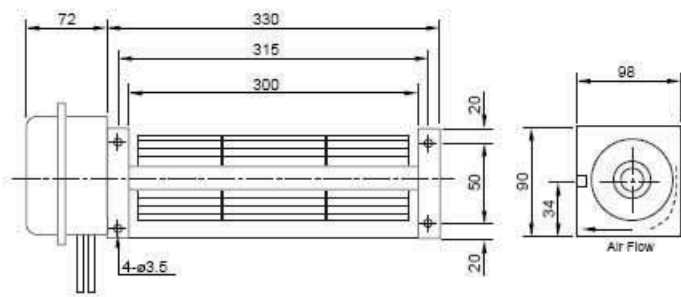


Model Spec	Rated Voltage V	Frequency Hz	Input Power W	Rated Current A	Locked Current A	Speed RPM	Maximum Air Flow m ³ / min	Maximum Air Flow CFM	Maximum Pressure mmH ₂ O	Maximum Pressure InchH ₂ O	Noise dB	Weight KG
ECA6017S-12HSL	120 V	50	27	0.45	0.52	2,200	3.0	106	6.0	0.24	43	1.30
		60	25	0.40	0.42	2,000	2.5	89	5.5	0.22	42	
ECA6017S-23HSL	230V	50	27	0.22	0.26	2,200	3.0	106	6.0	0.24	43	1.30
		60	25	0.20	0.22	2,000	2.5	89	5.5	0.22	42	

MODEL: ECA6030 SERIES



Size : 402 x 100 x 90
Unit : mm

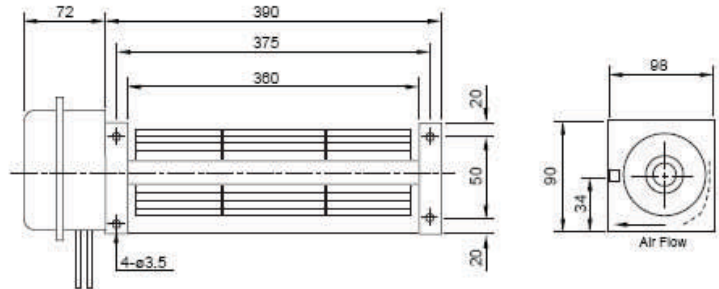
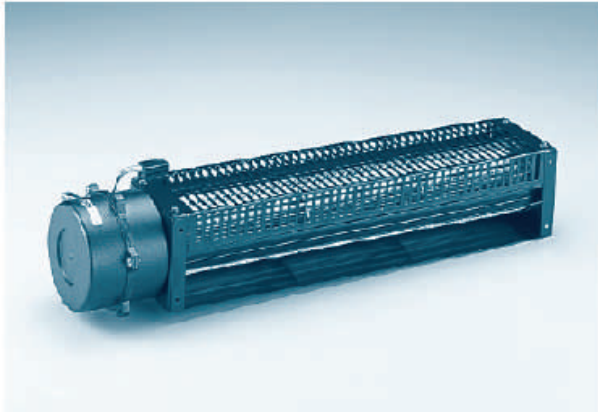


Model Spec	Rated Voltage V	Frequency Hz	Input Power W	Rated Current A	Locked Current A	Speed RPM	Maximum Air Flow m ³ / min	Maximum Air Flow CFM	Maximum Pressure mmH ₂ O	Maximum Pressure InchH ₂ O	Noise dB	Weight KG
ECA6030C-12HBL	120 V	50	35	0.33	0.46	2,600	5.0	177	5.0	0.20	50	2.00
		60	37	0.33	0.46	3,000	5.5	195	7.5	0.30	53	
EC6030C-23HBL	230V	50	35	0.17	0.22	2,600	5.0	177	5.0	0.20	50	2.00
		60	37	0.17	0.22	3,000	5.5	195	7.5	0.30	53	



MODEL: ECA6036 SERIES

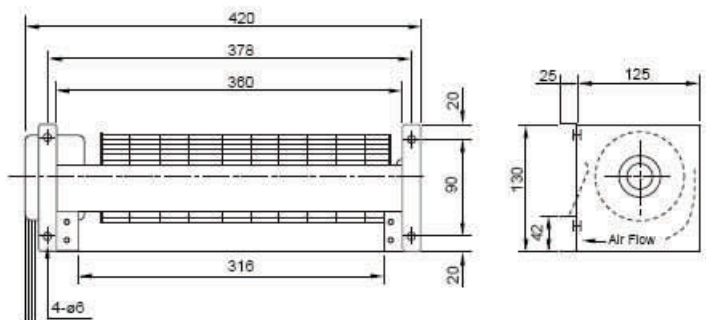
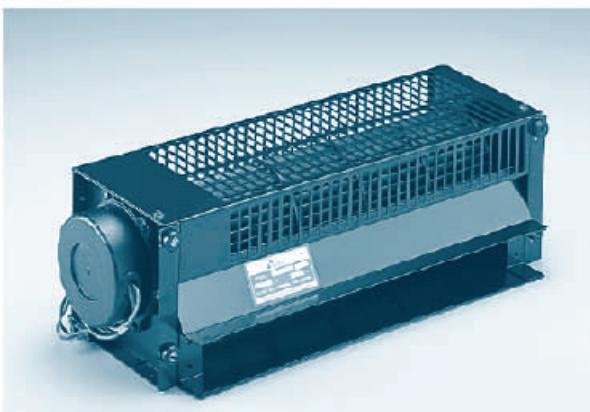
Size : 462 x 100 x 90
Unit : mm



Model Spec	Rated Voltage V	Frequency Hz	Input Power W	Rated Current A	Locked Current A	Speed RPM	Maximum Air Flow m ³ /min	Maximum Air Flow CFM	Maximum Pressure mmH ₂ O	Maximum Pressure InchH ₂ O	Noise dB	Weight KG
ECA6036C-12HBL	120 V	50	35	0.33	0.46	2,500	5.5	195	5.0	0.20	50	2.10
		60	37	0.33	0.46	2,800	6.0	212	7.5	0.30	53	
ECA6036C-23HBL	230V	50	35	0.17	0.22	2,500	5.5	195	5.0	0.20	50	2.10
		60	37	0.17	0.22	2,800	6.0	212	7.5	0.30	53	

MODEL: ECA9029 SERIES

Size : 420 x 150 x 130
Unit : mm



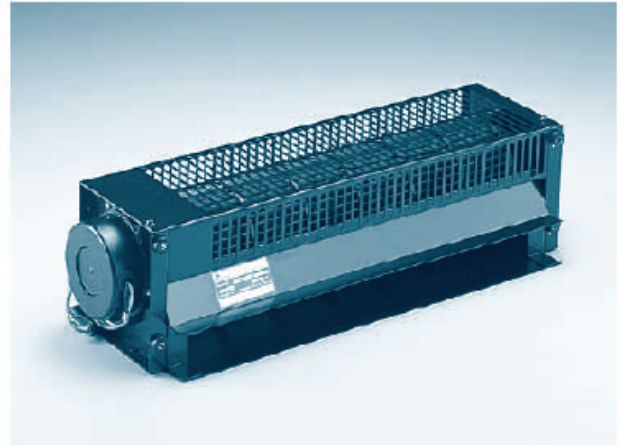
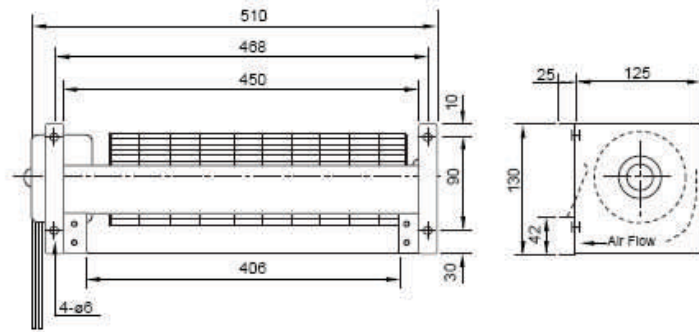
Model Spec	Rated Voltage V	Frequency Hz	Input Power W	Rated Current A	Locked Current A	Speed RPM	Maximum Air Flow m ³ /min	Maximum Air Flow CFM	Maximum Pressure mmH ₂ O	Maximum Pressure InchH ₂ O	Noise dB	Weight KG
ECA9029C-12HBL	120 V	50	33	0.28	0.40	1,350	4.5	159	2.2	0.09	43	3.00
		60	31	0.27	0.40	1,560	5.0	177	3.3	0.13	46	
ECA9029C-23HBL	230V	50	33	0.14	0.20	1,350	4.5	159	2.2	0.09	43	3.00
		60	31	0.13	0.19	1,560	5.0	177	3.3	0.13	46	



MODEL: ECA9439 SERIES



Size : 510x 150 x 130
Unit : mm

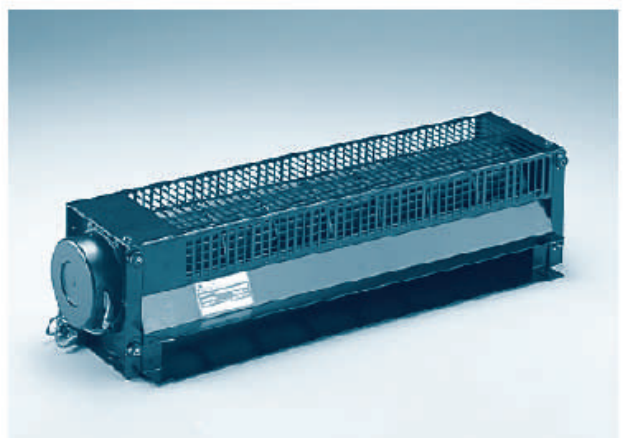
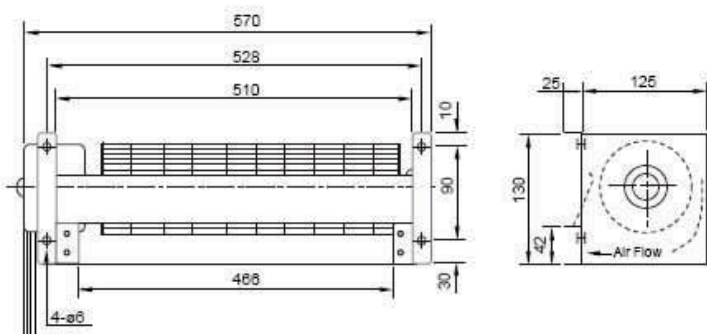


Model Spec	Rated Voltage V	Frequency Hz	Input Power W	Rated Current A	Locked Current A	Speed RPM	Maximum Air Flow m ³ / min	Maximum Air Flow CFM	Maximum Pressure mmH ₂ O	Maximum Pressure InchH ₂ O	Noise dB	Weight KG
ECA9439C-12HBL	120 V	50	43	0.40	0.60	1,400	7.5	265	3.5	0.14	48	0.35
		60	50	0.40	0.60	1,600	9.0	318	4.5	0.18	53	
ECA9439C-23HBL	230V	50	43	0.20	0.31	1,400	7.5	265	3.5	0.14	48	0.35
		60	50	0.22	0.31	1,600	9.0	318	4.5	0.18	53	

MODEL: ECA9446 SERIES



Size : 570 x 150 x 130
Unit : mm



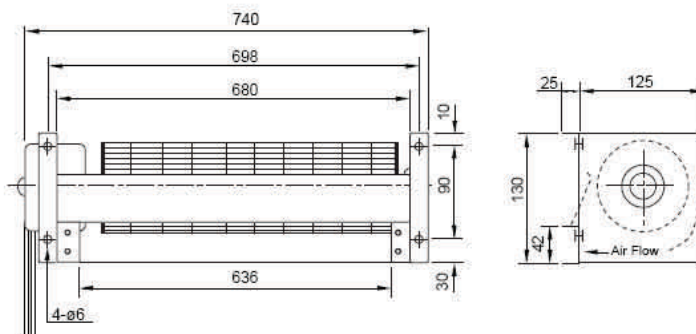
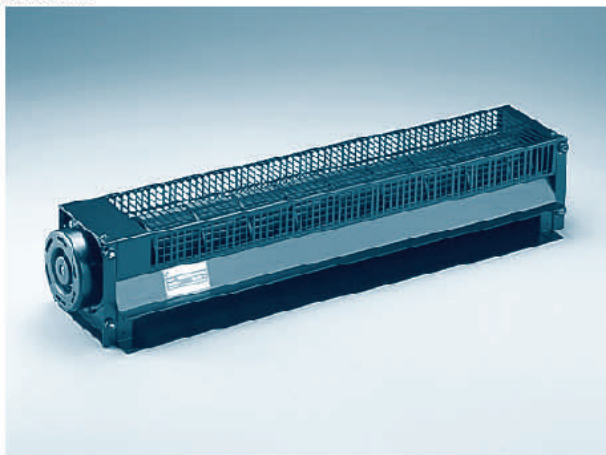
Model Spec	Rated Voltage V	Frequency Hz	Input Power W	Rated Current A	Locked Current A	Speed RPM	Maximum Air Flow m ³ / min	Maximum Air Flow CFM	Maximum Pressure mmH ₂ O	Maximum Pressure InchH ₂ O	Noise dB	Weight KG
ECA9446C-12HBL	120 V	50	43	0.40	0.63	1,350	8.5	300	3.5	0.14	48	3.60
		60	50	0.42	0.63	1,550	10.0	354	5.0	0.20	53	
ECA9446C-23HBL	230V	50	43	0.20	0.31	1,350	8.5	300	3.5	0.14	48	3.60
		60	50	0.23	0.31	1,550	10.0	354	5.0	0.20	53	



MODEL: ECA9060 SERIES

Size : 740 x 150 x 130

Unit : mm



Model Spec	Rated Voltage V	Frequency Hz	Input Power W	Rated Current A	Locked Current A	Speed RPM	Maximum Air Flow m ³ /min	Maximum Air Flow CFM	Maximum Pressure mmH ₂ O	Maximum Pressure InchH ₂ O	Noise dB	Weight KG
ECA9060C-12HBL	115V	50	130	1.00	1.40	2,150	15.5	550	9.0	0.35	55	5.30
		60	160	1.25	1.40	2,100	15.0	530	11.0	0.43	54	
ECA9060C-23HBL	230V	50	130	0.50	0.75	2,150	15.5	550	9.0	0.35	55	5.30
		60	160	0.70	0.75	2,100	15.0	530	11.0	0.43	54	